



EMULATION TECHNOLOGY, INC.

Specification Number: M4228

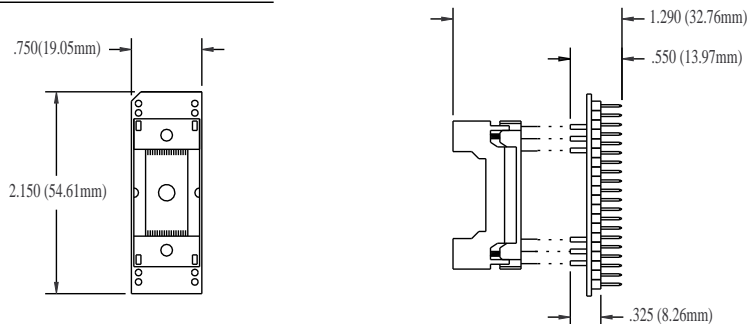
PROGRAMMING ADAPTER SPECIFICATION

Item: 404008TS600YAMS
Description: AS-40-40-08TS-6YAM-S

REPLACEMENT SOCKET: S-TSO-00-040-A

Call Emulation Technology for a replacement socket price and delivery quote.

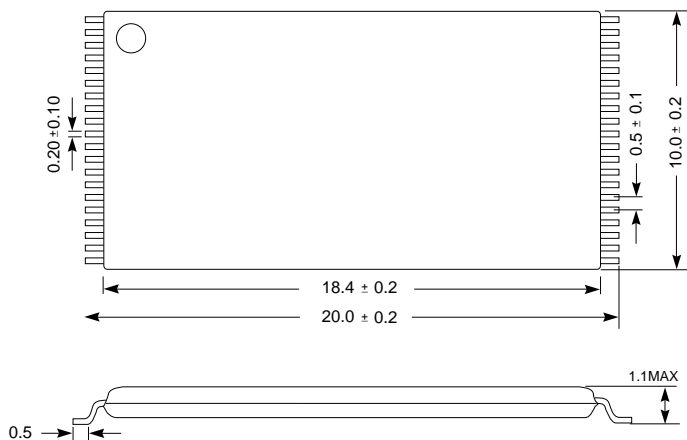
TYPICAL DIMENSIONS:



All Dimensions in Inches.

(Assembly Drawing: F4228)

PACKAGE SPECIFICATIONS:



All Dimensions in Millimeters.

ET Code: 040-TS01

CONNECTION TABLE:

40-Lead TSOP SOCKET	PIN Names	40-Pin DIP Base
11	V _{PP} (20mil)	1
22	CE#	2
12	WP#	3
-	-	4
10	RP#(20mil)	5
29	NC	6
38	A20	7
37	A19	8
13	A18	9
40	A17	10
23	GND ²	11
35	DQ7	12
34	DQ6	13
33	DQ5	14
32	DQ4	15
28	DQ3	16
27	DQ2	17
26	DQ1	18
25	DQ0	19
24	OE#	20
21	A0	21
20	A1	22
19	A2	23
18	A3	24
17	A4	25
16	A5	26
15	A6	27
14	A7	28
8	A8	29
39	GND ²	30
7	A9	31
36	A10	32
6	A11	33
5	A12	34
4	A13	35
3	A14	36
2	A15	37
1	A16	38
9	WE#	39
30/31(L3/4)	V _{CC} /V _{CCQ} ¹	40

Notes:

1. TSOP30 (V_{CC}) and DIP40 (V_{CCQ}) are tied to V_{CC} layer 3. TSOP31 (V_{CCQ}) and DIP40 (V_{CCQ}) are tied to V_{CCQ} layer 4.
2. TSOP23 and 39 (GND) and DIP11 and 30 (GND) are tied to GND layers 2 and 5.

Compatible TSOP devices:

TE28F004B3 TE28F016B3
TE28F008B3

Manufacturers:

Intel



EMULATION TECHNOLOGY, INC.

2344 WALSH AVENUE • BUILDING F
SANTA CLARA, CA 95051-1301
TEL 408 / 982.0660 • FAX 408 / 982.0664

Call today for a FREE Full Line Catalog and Unlimited Application Consulting!